

ULRM Series

Rear-Mount Oil Coolers for Industrial Applications



Extend Component Lifespan and Increase System Performance.

High hydraulic fluid temperatures can damage system components, as well as significantly alter the way your hydraulic system performs – leaving you with costly repairs and downtime. The Parker ULRM Series provides durable rear-mount coolers designed to fit behind standard TEFC electric motors. Engineered for case drain applications or applications requiring minimal cooling, the ULRM Series affordably removes heat from your hydraulic fluid to protect your system.

The ULRM Series offers robust and efficient bar and plate construction. Designed to the standard dimensions found on NEMA frame motors, it significantly reduces your installation time, so you can get up and running faster.



Contact Information:

Parker Hannifin Corporation
Accumulator & Cooler Division
10711 North Second Street
Machesney Park, IL 61115

phone 815 636 4100
fax 815 636 4111

www.parker.com/coolers

Product Features:

- Robust, efficient bar and plate construction
- Flexible mounting options (for horizontal and vertical units)
- Custom under-motor mount for easy installation (vertical mount)
- Ability to rotate core 90 degrees for multiple port configurations
- Universal mounting brackets (adjustable on two axes)
- Optional removable air filter

Design Engineering:

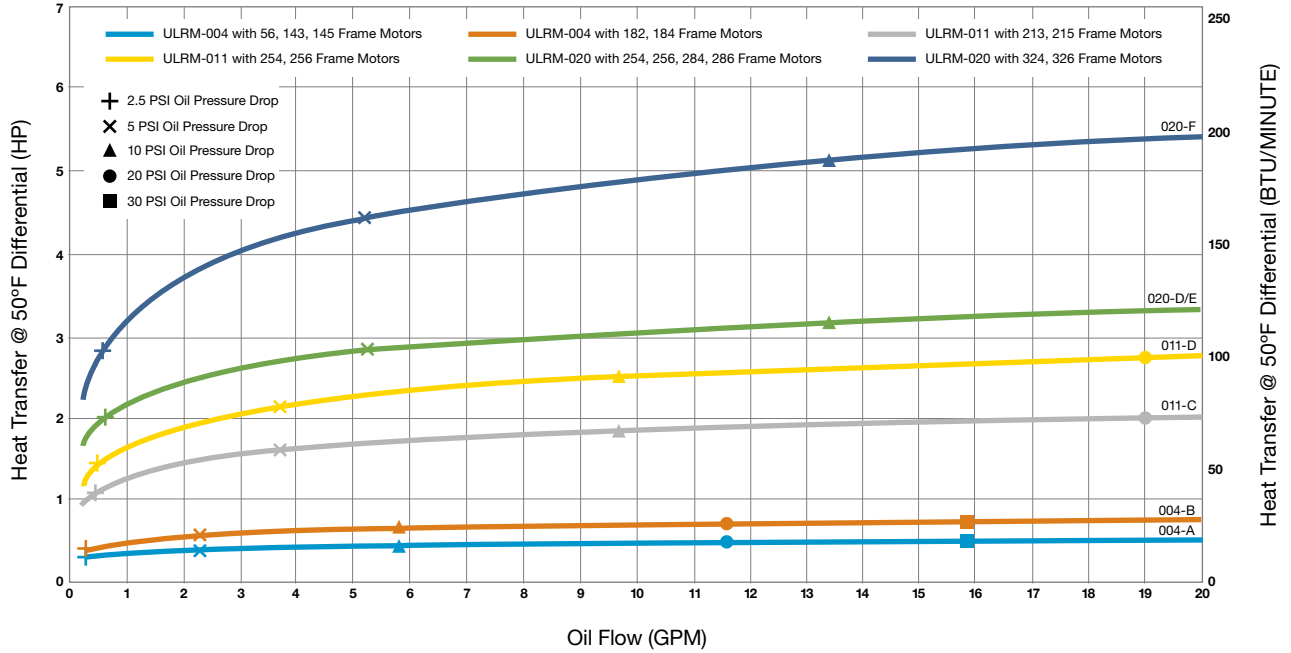
- Innovative design for reduced installation times
- Custom sizing and 3D models available
- Application engineers on hand for design assistance and technical support



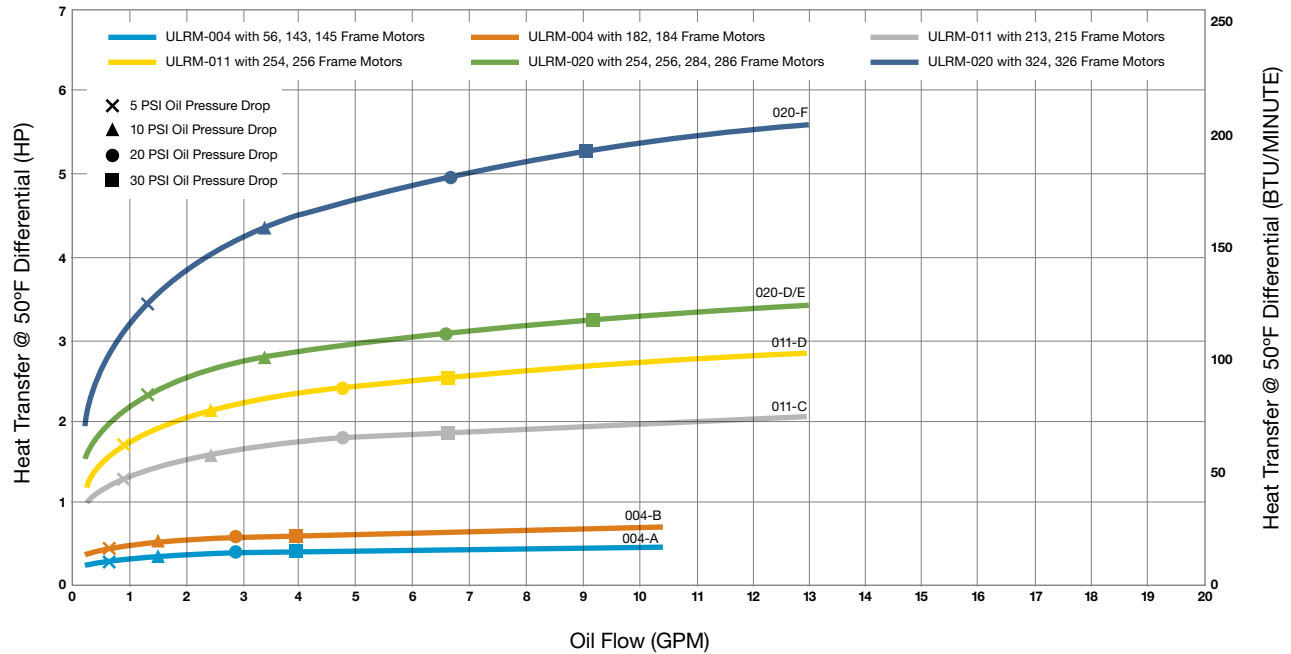
ENGINEERING YOUR SUCCESS.

ULRM Series Cooling Performance

ULRM One Pass Cooler Performance



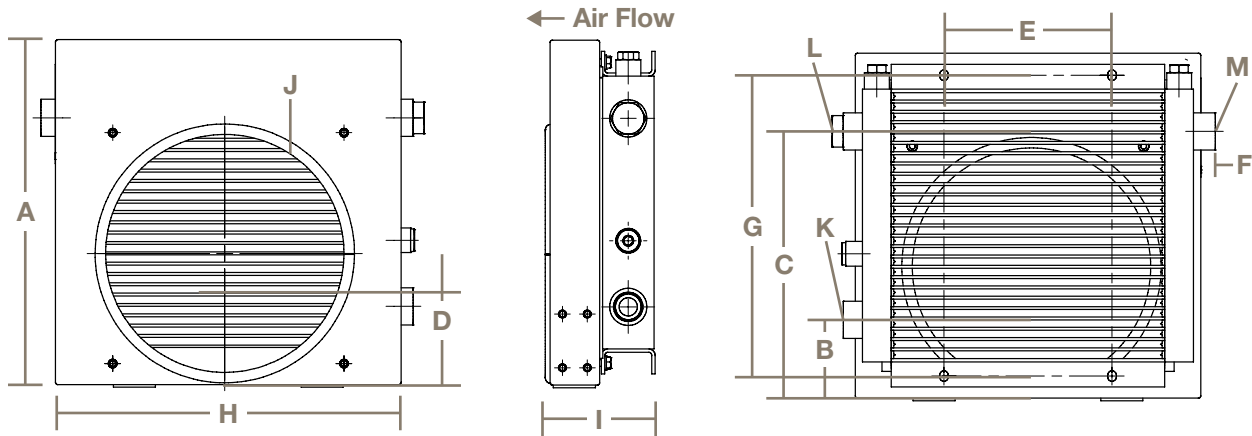
ULRM Two Pass Cooler Performance



Note: The Cooling capacity curves are based on an Entering Temperature Difference (ETD) of 50°F and ISO VG46 oil.

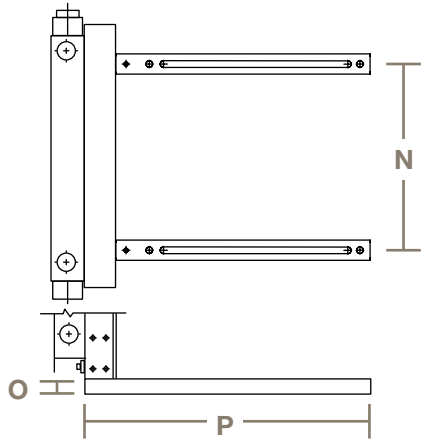
$$\text{Head Load (hp)} \times \frac{50}{\text{ETD (Actual)}} = \text{Curve hp}$$

ULRM Series Dimensions



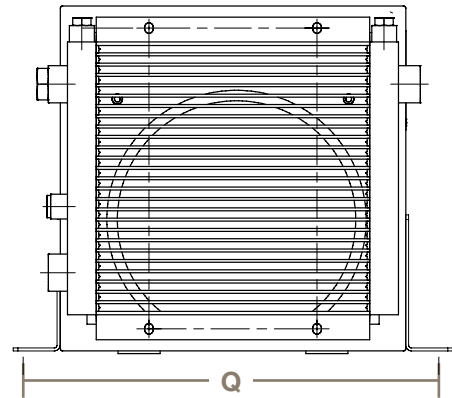
Type	One Pass			Two Pass		D	E	F	G	H	I	J	One Pass			Two Pass			Weight lbs. (approx.)
	A	B	C	B	C								K	L	M	K	L	M	
ULRM-004	11.1	-	7.5	3.6	7.5	See Chart A	6.0	1.3	9.0	11.1	5.0	See Chart A	SAE #8	SAE #16	SAE #8	-	13		
ULRM-011	16.4	3.8	12.8	4.9	11.6		8.0	0.9	14.3	16.4	5.0		SAE #16	SAE #16	SAE #8	-	28		
ULRM-020	20.8	6.0	17.0	6.1	14.8		8.0	0.9	18.7	20.8	5.0		SAE #16	SAE #16	SAE #8	-	45		

Under Motor Mount



Type	N	O	P	Weight lbs. (approx.)
ULRM-004	See Chart A	1	18.8	20
ULRM-011		1.2	24.8	35
ULRM-020		1.2	24.8	52

Universal Feet



Type	Q	Weight lbs. (approx.)
ULRM-004	13.1	15
ULRM-011	18.4	30
ULRM-020	22.8	47



Includes bolts and blocks for mounting motor.

Chart A

NEMA Frame Size	Cooler Size	Motor Mount Bolts	Motor Center (D)	Motor Opening (J)	Under Motor Mount Spacing (N)	Adapter Plate
56, 56H, 143T, 145T	ULRM-004	5/16-18 UNC	3-1/2"	6-1/4"	4-7/8", 5-1/2"	Y
182, 182T, 184, 184T	ULRM-004	3/8-16 UNC	4-1/2"	8-1/4"	7-1/2"	N
213, 213T, 215, 215T	ULRM-011	3/8-16 UNC	5-1/4"	9-3/4"	8-1/2"	Y
254T, 254U, 256T, 256U	ULRM-011/020	1/2-13 UNC	6-1/4"	11-3/4"	10"	020 only
284T, 284TS, 284U, 286T, 286TS, 286U	ULRM-020	1/2-13 UNC	7"	13-1/4"	11"	Y
324T, 324TS, 324U, 326T, 326TS, 326U	ULRM-020	5/8-11 UNC	8"	15-1/4"	12-1/2"	N

ULRM Series Specifications

Order Key

ULRM				
Model	Cooler Size	# of Passes	NEMA Motor Frame Size	Mounting
	004	1	A = 56-145T (004 only)	W = No feet
	011	2	B = 182-184T (004 only)	X = Universal feet
	020		C = 213-215T (011 only)	Y = Under Motor Mount
			D = 254T-256U (011, 020 only)	
			E = 284T-286U (020 only)	
			F = 324T-326U (020 only)	

Technical Specifications

Fluid Combinations

Mineral oil
 Oil/water emulsion
 Water glycol
 Phosphate ether

Material

Cooler core Aluminum
 Other parts Steel
 Surface treatment Electrostatically powder-coated

Cooler Core

Maximum static working pressure 300 PSI
 Dynamic working pressure 200 PSI*
*Tested in accordance with ISO/DIS 10771-1
 Heat transfer tolerance ±6%
 Maximum oil inlet temperature 250°F

Contact Parker for advice on

Oil temperatures > 250°F
 Aggressive environments
 Environments with heavy airborne particulates
 High-altitude locations

Filter Kits (sold separately)

(Includes air filter and brackets)

Size 004: Part# AFK-004
 Size 011: Part# AFK-011
 Size 020: Part# AFK-020

Filter Service Parts

Spare Filter (1 pc)
 Size 004: Part# FIL-004
 Size 011: Part# FIL-011
 Size 020: Part# FIL-020

Mounting Service Kits

Universal Feet Kit

(Brackets [2pc] and hardware)
 Part# UFK-RM

Under Motor Mount Kit

(Skis [2pc] and hardware)
 Size 004-A: Part# UMM-S-5/16"
 Size 004-B: Part# UMM-S-3/8"
 Size 011-C: Part# UMM-S-3/8"
 Size 011-D: Part# UMM-L-1/2"
 Size 020-D: Part# UMM-L-1/2"
 Size 020-E: Part# UMM-L-1/2"
 Size 020-F: Part# UMM-L-5/8"

Adapter Service Kits

Motor Seal Plate Kit

(Seal plate and hardware)
 Size 004-A: Part# MSP-004-A
 Size 011-C: Part# MSP-011-C
 Size 020-D: Part# MSP-020-D
 Size 020-E: Part# MSP-020-E

